





INDUSTRIAL SKILLS by:

# SEVEN --- FRIDAY

V-SERIES

# NFC AUTHENTICATION & REGISTRATION:



-  **DOWNLOAD APP:**  
[sevenfriday.com/app](https://sevenfriday.com/app)
-  **CREATE ACCOUNT**
-  **SCAN BACK OF YOUR WATCH**
-  **CONFIRM OWNERSHIP**

**SEVENFRIDAY** watches guarantee authenticity through scanning the integrated NFC chip, which is readable by NFC enabled devices\*.

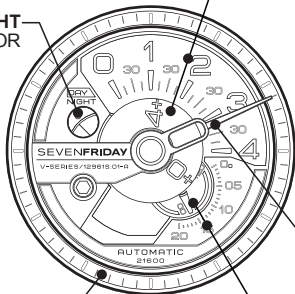
Download the **SEVENFRIDAY** app, scan to ensure authenticity, create your account and register as the official owner.

\*The chip is completely passive, data exchange is activated and powered by the device from close distance of 2-5mm. iPhones are not NFC enabled devices.



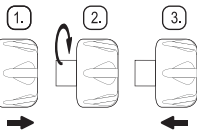
## DISPLAY

DAY / NIGHT  
INDICATOR



MINUTES RING

HOURS ADDITIONER SYSTEM  
FIXED SCALE & ADDITIONER DISK



MINUTES HAND

SECONDS ADDITIONER SYSTEM  
FIXED SCALE & ADDITIONER DISK

## WINDING THE MAINSPRING

Automatic winding watches can also be hand-wound by turning the crown several times clockwise in the normal position.



## WATCH WINDER

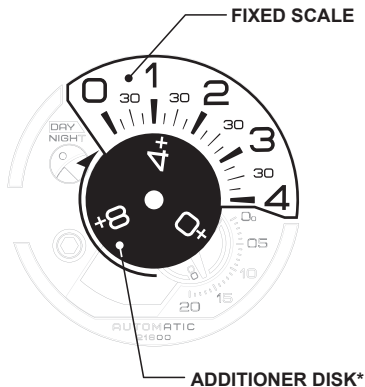
Counter Clockwise  
650 to 950 turns per day.

## SETTING THE TIME

1. Pull the crown out to the 1st Click position.
2. Turn the crown to set the hour, minute hands and Day & Night indicator.
3. After the time has been set, push the crown back to the normal position.

# HOURS

## ADDITIONER SYSTEM



\*CLOCKWISE ROTATION

# HOW DOES IT WORK?

ADDITIONER DISK +  
FIXED SCALE = HOURS



0 = 0h  
1 = 1h  
2 = 2h  
3 = 3h  
4 = 4h



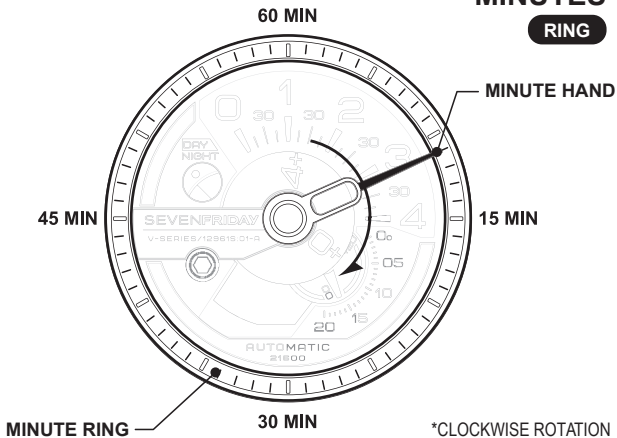
0 = 4h  
1 = 5h  
2 = 6h  
3 = 7h  
4 = 8h



0 = 8h  
1 = 9h  
2 = 10h  
3 = 11h  
4 = 12h

## MINUTES

RING



## DAY & NIGHT

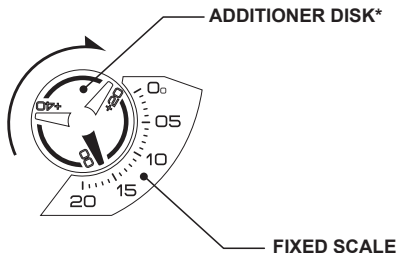
INDICATOR



\*DAY AND NIGHT DISK - CLOCKWISE ROTATION

## SECONDS

### ADDITIONER SYSTEM



\*CLOCKWISE ROTATION

## HOW DOES IT WORK?

ADDITIONER DISK +  
FIXED SCALE = SECONDS



00 = **0 sec.**  
05 = **5 sec.**  
10 = **10 sec.**  
15 = **15 sec.**  
20 = **20 sec.**

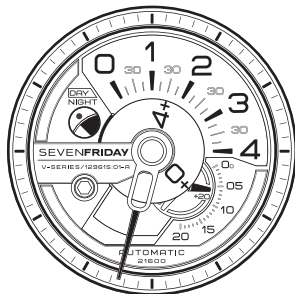


00 = **20 sec.**  
05 = **25 sec.**  
10 = **30 sec.**  
15 = **35 sec.**  
20 = **40 sec.**



00 = **40 sec.**  
05 = **45 sec.**  
10 = **50 sec.**  
15 = **55 sec.**  
20 = **60 sec.**

### EXAMPLE 1



**5:32:26**

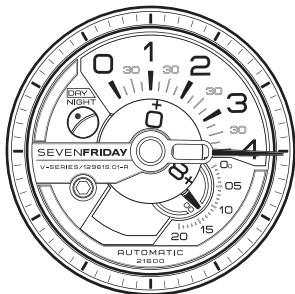
HOURS: 4+1= **5AM**

*(Day & Night indicator in the night area)*

MINUTES: **32 MIN**

SECONDS: 20+06= **26S**

### EXAMPLE 2



**13:15:13**

HOURS: 0+1= **1PM**

*(Day & Night indicator in the day area)*

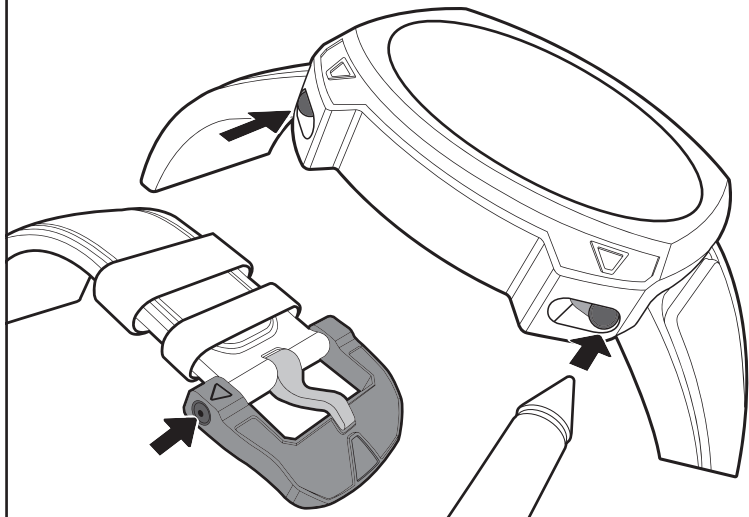
MINUTES: **15 MIN**

SECONDS: 00+13= **13S**



**FSC**

**FAST STRAP CHANGER**

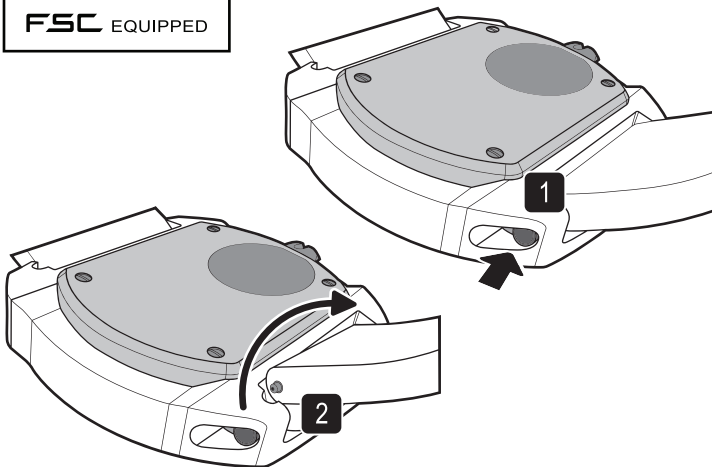


**ATTENTION**

TO AVOID DAMAGING THE SYSTEM, DO NOT USE SHARP OR POINTY OBJECTS, USE A WATCH PUSHER TOOL FOR CORRECTOR OR ANY SOFT POINTED OBJECTS.

## REMOVING STRAP

**FSC** EQUIPPED



- 1** Press to release.
- 2** Release the strap from the side slot.

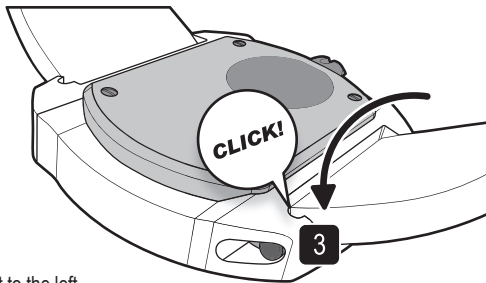
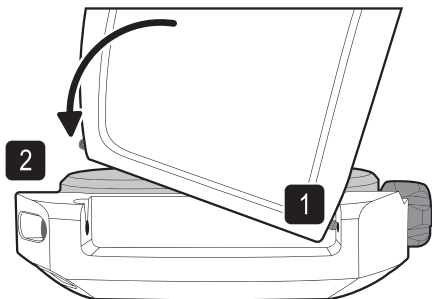


### **ATTENTION**

MAKE SURE YOU ARE PROPERLY AND SAFELY INSTALLED TO PROCEED STRAP CHANGE (ON TOP OF A RIGID SURFACE).

## ASSEMBLING STRAP

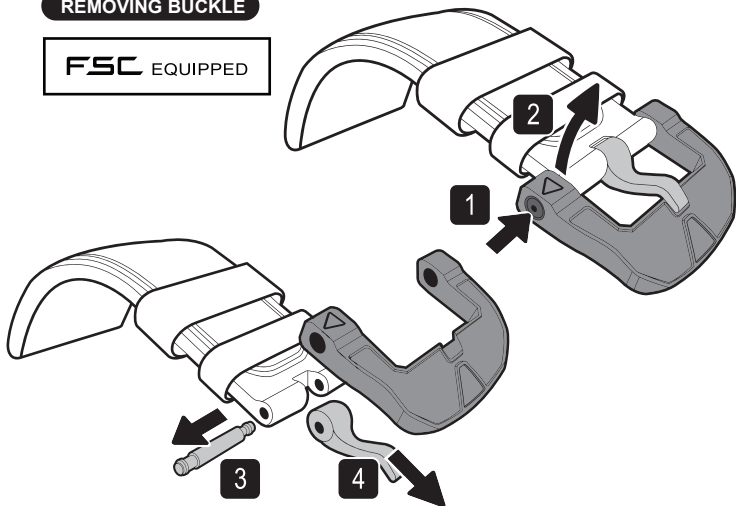
FSC EQUIPPED



- 1 Insert the Pin from the right to the left.
- 2 Engage the Pin in the slot.
- 3 Make sure it **CLICKS** and it is secure.

## REMOVING BUCKLE

FSC EQUIPPED



1 Press to release.

2 Pull out the buckle from the strap.

3 Pull out the spring bar.

4 Pull out the pin buckle.



### ATTENTION

TO AVOID DAMAGING THE SYSTEM, DO NOT USE SHARP OR POINTY OBJECTS, USE A WATCH PUSHER TOOL FOR CORRECTOR OR ANY SOFT POINTED OBJECTS.

WWW.SEVEN**FRIDAY**.COM

All rights reserved to SEVENFRIDAY®, unless stated otherwise, this manual is forbidden to be duplicated, published or modified for any purpose or reason.